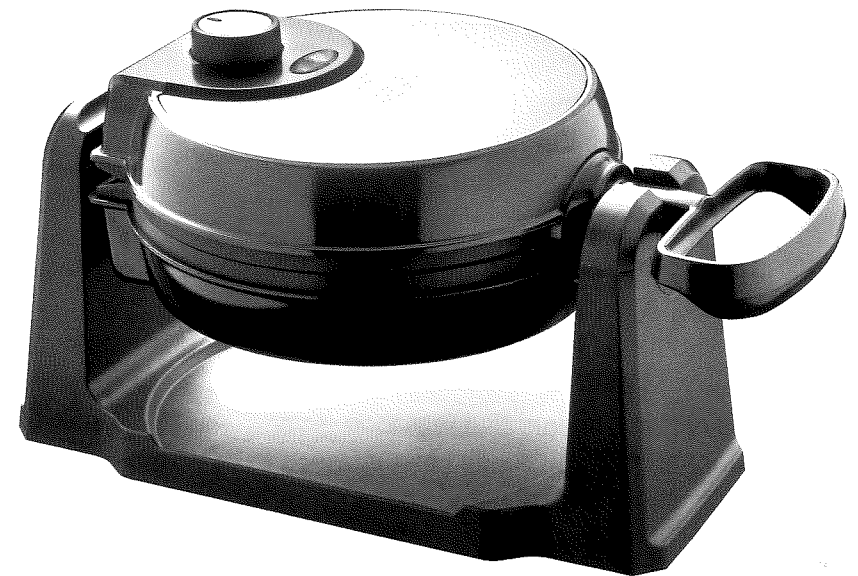


ROTATING WAFFLE MAKER

Instruction Manual



Item No. 35969

SAFETY INSTRUCTIONS



IMPORTANT: Read these instructions carefully before using this appliance and keep them for future reference.



Warning! Read all safety warnings and instructions. Failure to follow these may result in electric shock, fire and/or injury.

1. **The intended use of this appliance is explained in this instruction manual. The use of accessories other than those recommended may present a risk of personal injury.**
 2. **Always check the mains voltage corresponds to the voltage on the rating plate.**
- If the supply cord is damaged it must only be repaired or replaced by a suitably qualified person
 - **Do NOT** position appliance where it can be reached by children.
 - Extra caution is necessary when used near children or when left unattended
 - The appliance can be used by children aged 8 years and above and persons with reduced physical, sensory or mental capabilities or lack of knowledge and experience if they have been given supervision or instruction concerning the use of the appliance in a safe way and understand the hazards involved.
 - Children must not play with the appliance
 - Cleaning and user maintenance by children must not be carried out without supervision
 - Children of less than 3 years should be kept away unless continually supervised
 - Children aged from 3 years and less than 8 years shall only switch the appliance on/off provided it has been installed in its intended normal operational position and they have been given supervision or instruction concerning the use of the appliance in a safe way and understand the hazards involved.
 - Children from 3 years and less than 8 years shall not plug in, regulate or clean the appliance or carry out user maintenance of the appliance

- This appliance is for household use only and not commercial or industrial use.
- Use this appliance only as described in this manual. Any other use is not recommended by the manufacturer and may cause fire, electric shock or injury
- If the product or its supply cord is damaged do not use and consult a qualified person for repair or dispose of responsibly.
- Always unplug the appliance after use
- Store the appliance out of reach of children when not in use
- Store in a clean dry storage area when not in use
- Always ensure any vents or outlets are clear from blockages which may impact on the products function or safe use.
- Always unplug this product from the mains by pulling on the plug not the power cable.
- Always unplug before cleaning.
- Only use a soft cloth with mild soapy water to clean this product. Do not submerge this product in water or any other liquid
- Do not use the appliance for other than its intended use.
- For Indoor use only
- Do not immerse the heating body of the waffle maker in water or any other liquid.
- A short power-supply cord is provided to reduce the risk resulting from becoming entangled in or tripping over a longer cord. An extension cord may be used if care is exercised in its use. If an extension cord is used, the electrical rating of the cord must be at least as great as the electrical rating of the appliance. The extension cord should be arranged so that it will not drape over the countertop or tabletop where it can be pulled on by children or tripped over unintentionally.
- Make sure the voltage in your outlet is the same as the voltage indicated on the appliance's rating label.
- To protect against risk of electric shock, do not immerse the cord, plug or cooking unit in water or any other liquid.
- Do not touch hot surfaces. Use handles.
- This appliance should not be used by children.

- Extreme caution must be exercised when any appliance is used near children.
- Unplug from wall outlet when not in use and before cleaning. Allow to cool before cleaning or storing this appliance.
- Never yank the cord to disconnect the cooking unit from the outlet. Instead, grasp the plug and pull to disconnect.
- Do not operate any appliance if the cord is damaged. Do not use this appliance if the unit malfunctions, if it is dropped or has been damaged in any manner. To avoid the risk of an electric shock, never try to repair the Flip Belgian Waffle Maker yourself. Take it to an authorized service station for examination and repair. An incorrect reassembly could present a risk of electric shock when the Flip Belgian Waffle Maker is used.
- The use of accessories or attachments not recommended by the manufacturer may cause fire, electrical shock or injury.
- Do not use outdoors or for commercial purposes.
- Do not use this appliance for purposes other than the one for which it was designed.
- Do not let the electrical cord hang over the edge of the table or countertop or touch hot surfaces.
- Do not place on or near a hot gas or electric burner or heated oven.
- Use on a heat-resistant, flat level surface only.
- Use extreme caution when moving any appliance containing hot food, water, oil, or other liquids.
- To disconnect, remove plug from outlet.
- Always unplug after use. The appliance will remain on unless unplugged.
- **CAUTION:** This appliance generates heat during use. Proper precautions must be taken to prevent the risk of burns, fire or other damage to persons or property.
- When using this appliance, provide adequate ventilation above and on all sides for air circulation. Do not allow this appliance to touch curtains, wall coverings, clothing, dish towels or other flammable materials during use.

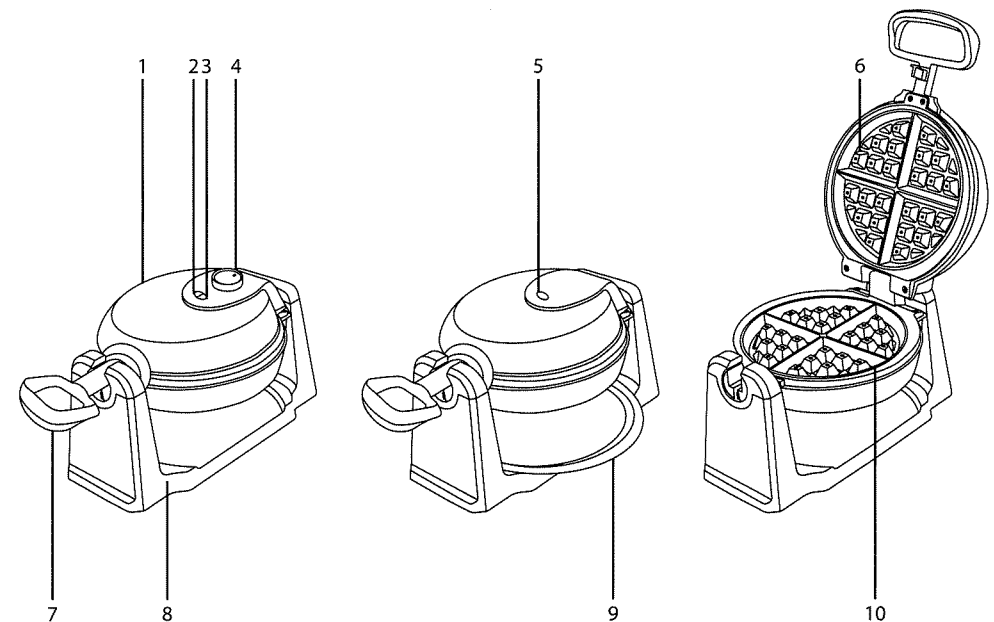
Please save these instructions.

BEFORE USING FOR THE FIRST TIME

- Remove all packaging materials.
- Clean the baking plates with a damp cloth or sponge.
- Slightly grease the baking plates with a little cooking oil.
- Take care to prevent water from running into the appliance.

COMPONENTS

Before using your Waffle Maker for the first time, you should become familiar with all the parts. Read all Instructions and Safeguards carefully.



1. Stainless Steel Cover
2. Red Power Light
3. Green Ready Light
4. Temp Control Knob
5. Green Ready Light

6. Top Plate
7. Folding Handle
8. Base
9. Removable Drip Tray
10. Bottom Plate

USING YOUR WAFFLE MAKER

FOR BEST RESULTS, FOLLOW THESE SIMPLE INSTRUCTIONS

When your waffle maker is heated for the first time, it may emit slight smoke or odor. This is normal with many heating appliances. This does not affect the safety of your appliance. However, it may affect the flavor of the first set of waffles prepared in your waffle maker, and it is recommended that you discard these should they taste unpleasant.

PREPARING YOUR FLIP BELGIAN WAFFLE MAKER

- Pre-heat the waffle maker by setting the temperature control to the maximum setting.
- Close the waffle maker and plug it into the wall outlet, you will notice that the red power light will go on, indicating that the waffle maker has begun preheating. It will take approximately 5 to 8 minutes to reach baking temperature. The green light will remain on until you unplug your waffle maker. When the green light goes off, the waffle maker is ready for use.
- Set the Waffle Temperature Control to your desired setting. At first, try a setting in the middle. You may later adjust it lower or higher according to your preference. A lower setting produces a lighter colored waffle, while waffles made at a higher setting are darker and crisper. Different waffle batters will also cook up differently. Over time, you will find your perfect setting for the batter you use.
- Before baking the first waffles of the day, use a pastry brush to lightly coat the top and bottom waffle grids with vegetable oil. A light coating of non-stick cooking spray also works well.

BAKING

- When the proper baking temperature is reached, the green light will go off. Once heated up, cycle times will be faster.
- Pour batter onto the bottom plate of the waffle maker. Ladle just enough batter to fill the lower plate so that the peak area of the plate is covered. If necessary, use a spatula to spread the batter into the corners of the plate. At this point the green light will go on as the baking cycle begins.
- Close the waffle maker and rotate unit 180° to the right (clockwise). Do not open for at least 1½ minutes. Opening the lid too soon will cause under-baked waffles to split, making them difficult to remove.
- When the green light goes off again, rotate the waffle maker 180° to the left (counterclockwise). Your waffles should be done according to the Waffle Temperature Control setting that you've chosen. If you want them darker, close the lid and continue baking until the desired color is achieved.
- Remove waffles from the plate using non-metallic utensils.
- If additional baking is to be done, close the waffle maker to retain heat. Always be sure the green light has gone off again before making more waffles.
- If you need to take a short break, close the waffle maker to maintain heat. When you return to baking, you will notice that the first waffles will bake faster because extra heat has been allowed to build up.
- When baking is complete, simply unplug the power cord from the wall outlet. Leave the waffle maker open to cool. Do not begin to clean until the unit has completely cooled.

WAFFLE BAKING TIPS

- When preparing the waffle batter, do not over mix or the waffles will be tough. Stir batter only until large lumps of dry ingredients disappear.
- The optimal amount of batter to produce a full-shaped waffle, without overflowing, will vary with different waffle batters. Pouring batter from a measuring cup will help you gauge how much batter to use each time. Fill the bottom plate of the waffle maker with enough batter to cover peak areas of the grid about $\frac{3}{4}$ to 1 cup.
- For more evenly shaped waffles, spread thick batters to outer edges of the plate, using a heat proof rubber spatula or other non-metallic utensil before closing lid.
- Cake-based waffles, such as Chocolate Waffles are more tender than regular waffles and may require more care when removing from the waffle maker. You may want to break these waffles into halves or quarters before removing. Use a spatula to support waffles when removing from the appliance.
- To retain crispness, move baked waffles to a wire cooling rack to prevent steam from accumulating underneath.
- When serving several waffles at one time, keep waffles hot and crisp by placing on a rack in a preheated 200°F/93°C oven until ready to serve.
- Already cooled waffles can be re-warmed and re-crisped, individually, by returning to the hot waffle maker. Set the Waffle Temperature Control to low. Place the waffle onto the grid so the grooves match up; close the lid and heat for 1 to 2 minutes, watching carefully to prevent burning.
- Baked waffles also freeze well. Cool completely on a wire rack. Store in a plastic freezer bag or in a covered container, separating waffles with wax paper. Reheat frozen waffles in a toaster oven, oven or toaster until hot and crisp.

CLEANING AND CARE

Here are a few easy steps to keep your waffle maker looking and working like new:

- Always unplug the waffle maker and allow it to cool before cleaning. There is no need to disassemble the waffle maker for cleaning. Never immerse the waffle maker in water or place in the dishwasher.
- Brush away any loose crumbs from the grooves. Wipe grids clean with a paper towel, absorbing any oil or butter that might be down in the grooves of the grid. You can also wipe grids with a damp cloth. Do not use anything abrasive that can scratch or damage the non-stick coating.
- Wipe the outside of the waffle maker with a damp cloth only. Do not clean the outside with any abrasive scouring pad or steel wool, as this will damage the finish. A little metal polish suitable for stainless steel may be used occasionally on the top housing. Do not immerse in water or any other liquid.
- Do not place in the dishwasher.
- Should any batter become baked onto the grids, pour a little cooking oil onto the hardened batter. Let sit 5 minutes to soften batter, then wipe off with a paper towel or soft cloth.
- Do not use metal utensils to remove your waffles, they can damage the non-stick surface.

TECHNICAL SPECIFICATIONS

Product Name: Rotating Waffle Maker

Item Number: 35969

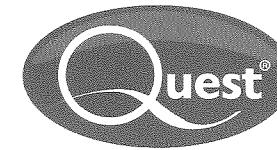
Model Number: SW-2086M

Rated power: 1000W


Voltage: 220-240V~50Hz

Class I earthed appliances (3 core) plug

- This appliance has been fitted with a BS UK compliant plug which **must not** be replaced or removed.
- The plug is fitted with a BS UK compliant fuse link suitable for this type of appliance and **must** only be replaced by a fuse link of the same rating.
- If access to the fuse link is only possible by removing the plug cover, this **must** only be carried out by a suitably qualified person.
- If the plug or mains cable is damaged, do **not** use the appliance. Dispose of it responsibly. This appliance is earthed.
- This appliance is earthed.



Information on Waste Disposal for Consumers of Electrical & Electronic Equipment

 This symbol indicates that this product should not be treated as normal household waste and it should be recycled. Please take it to your nearest collection facility or for further details contact your local council or visit www.recycle-more.co.uk.



Importer UK: Benross Marketing Ltd, Liverpool L24,9HJ
Importer EU: Benross Marketing Ltd, Italielei 1-2000 Antwerp Belgium.
Consumer Services: E: afterservice@benross.com. T:+441518327600.
Made in P.R.C.